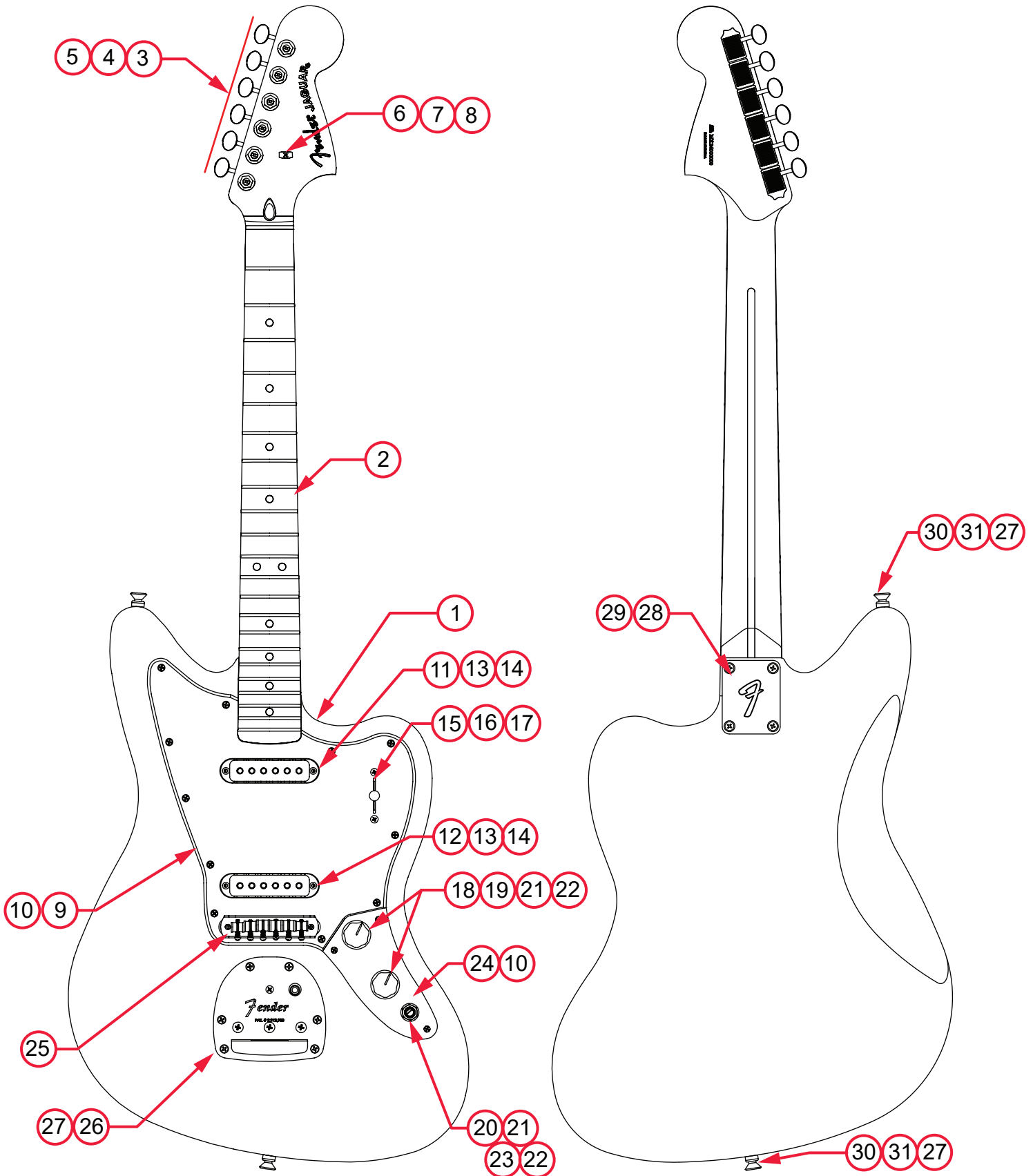


# PLAYER II JAGUAR®

(014-0580-XXX)

## PARTS LAYOUT



**PLAYER II JAGUAR®**

**(014-0580-XXX)**

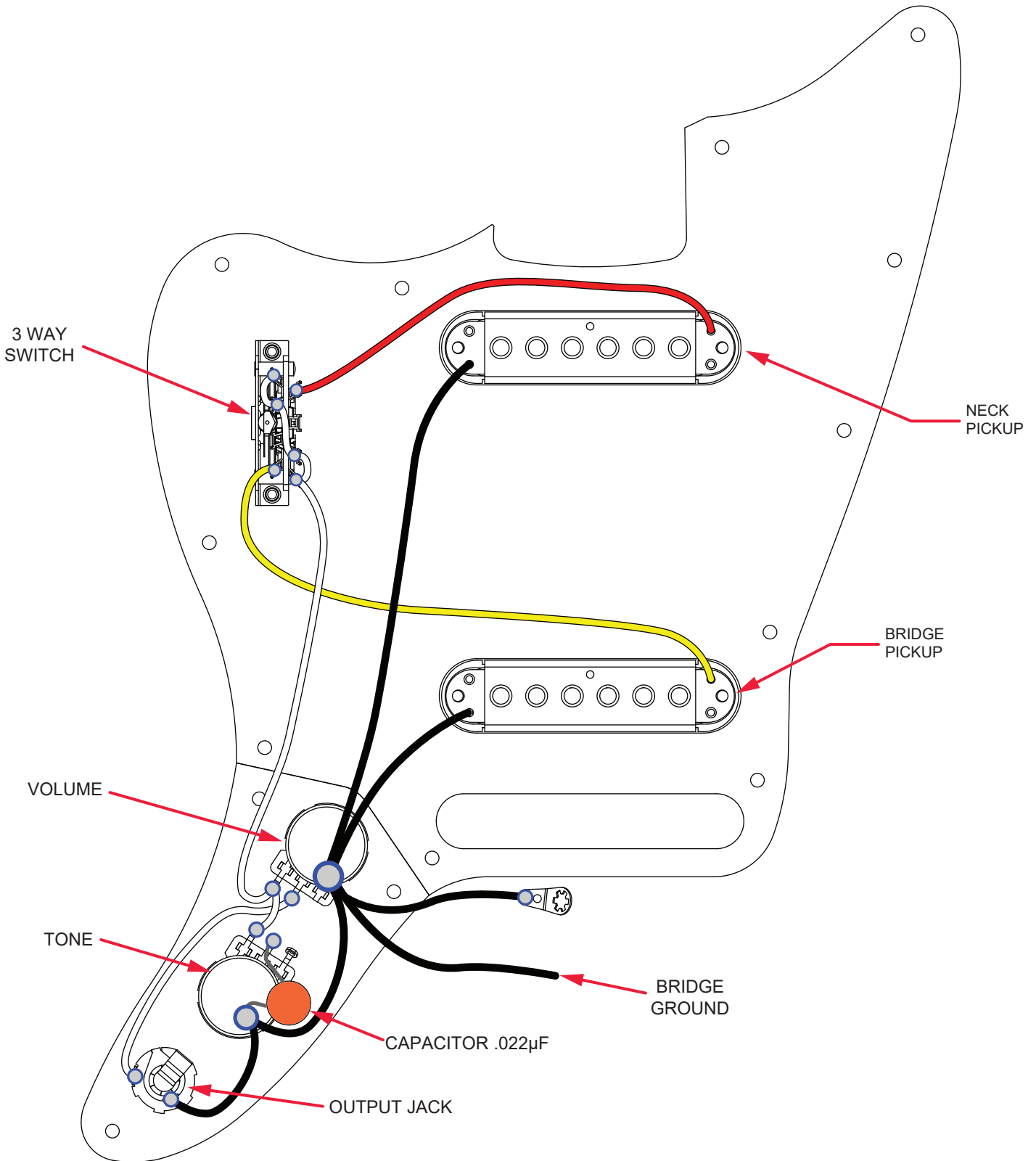
**PARTS LIST**

| REF # | DESCRIPTION                         | PART NUMBER |
|-------|-------------------------------------|-------------|
| 1     | BODY PLAYER II JAGUAR 3TSB          | 7729154500  |
|       | BODY PLAYER II JAGUAR PWT           | 7729154515  |
|       | BODY PLAYER II JAGUAR AQB           | 7729154518  |
|       | BODY PLAYER II JAGUAR CRR           | 7729154558  |
|       | BODY PLAYER II JAGUAR HLY           | 7729154561  |
| 2     | NECK PLAYER II JAGUAR RW            | 7729168000  |
| 3     | TUNING KEYS MODERN VINTAGE SET      | 0990802100  |
| 4     | BUSHING KEYS                        | 0058820049  |
| 5     | WASHER KEY                          | 0053106049  |
| 6     | ORIGINAL STRAT STRING GUIDES        | 0994910000  |
| 7     | SPACER STR TREE 62 STRAT            | 0020423000  |
| 8     | SCRW SMA 3x5/8 RHP NI               | 0011358000  |
| 9     | PICKGUARD JAGUAR PLAYER II B/W/B    | 7729147000  |
|       | PICKGUARD JAGUAR PLAYER II P/B/P    | 7729148000  |
| 10    | SCRW SMAB 4x1/2 OHP NI              | 0015578049  |
| 11    | PICKUP ASSY JAGUAR PLAYER II NECK   | 7729266000  |
| 12    | PICKUP ASSY JAGUAR PLAYER II BRIDGE | 7729267000  |
| 13    | SCRW WD OH PH #4x1 1/4 NI           | 0054497000  |
| 14    | WEATHRSTRP 9/16x1/2 OP CL NEOP (2)  | 0018556049  |
| 15    | ORIG 3-WAY SWITCH VNT STR/TEL       | 0992041000  |
| 16    | SCREW MA RD HD 6-32 X 5/8 (12)      | 0015800049  |
| 17    | ORIGINAL STRAT AGED SWITCH TIP      | 0994938000  |
| 18    | KNOB LARGE SKIRTED BLACK            | 0019455049  |
| 19    | CONTROL 1 MEG 10% AUDIO METAL       | 0019066049  |
| 20    | JACK PHONE OPEN CIRCT 11            | 0021956049  |
| 21    | WASHER LOCK INTL 3/8 X .687         | 0016436049  |
| 22    | NUT HEX 3/8-32x3/32 TK NI           | 0016352049  |
| 23    | WSHR FLAT 3/8x.614 NI               | 0031153049  |
| 24    | CONTROL PLATE STD JAG               | 0081140000  |
| 25    | BRIDGE ASSY AM PERFORMER MUSTANG    | 7713209000  |
| 26    | TREMOLO VBT005 W/ LOGO              | 0081138000  |
| 27    | SCRW SMAB 5x1 OHP NI                | 0015610049  |





**PLAYER II JAGUAR®**  
**(014-0580-XXX)**  
**WIRING DIAGRAM**

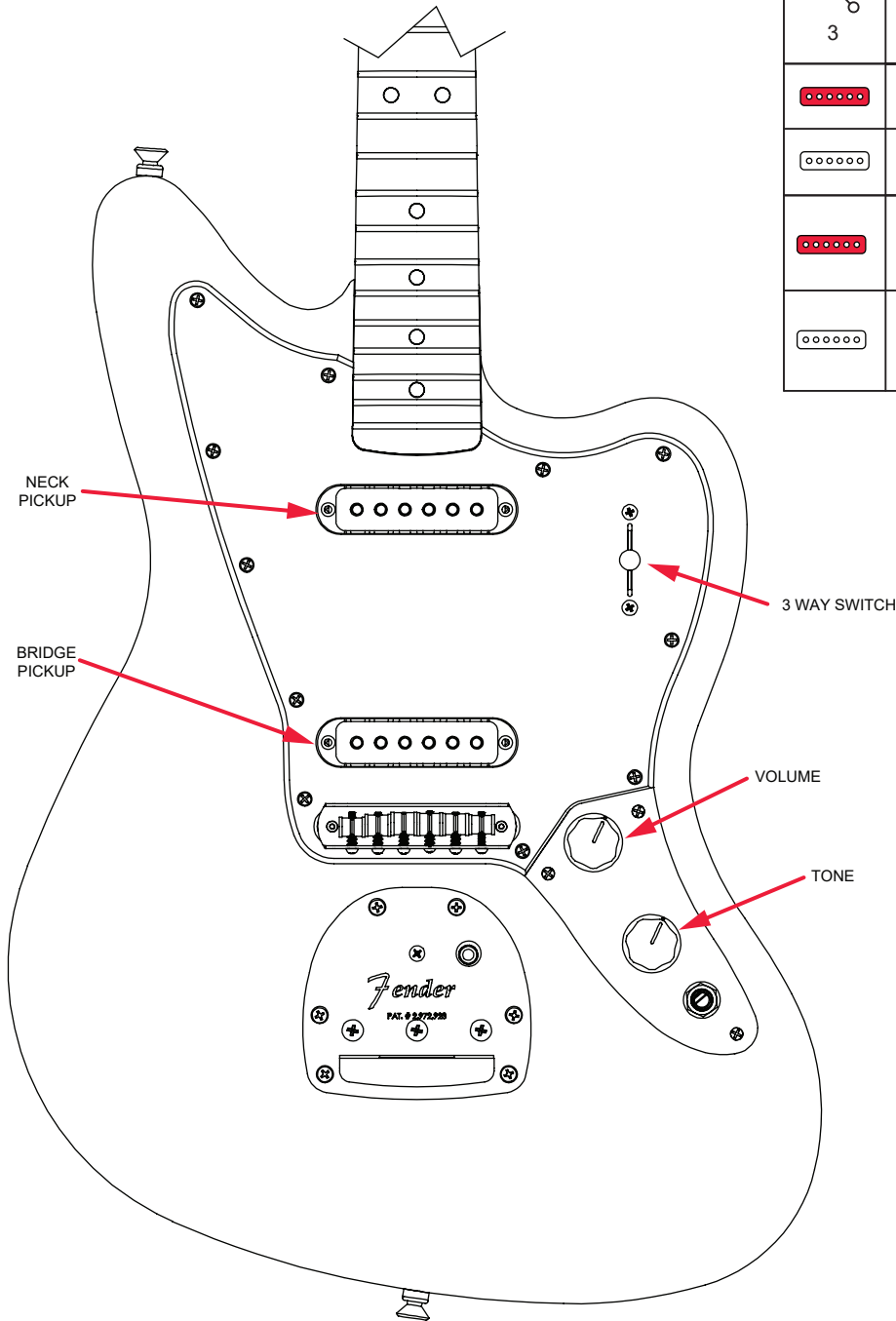


# PLAYER II JAGUAR®

(014-0580-XXX)

## SWITCH AND CONTROL FUNCTION

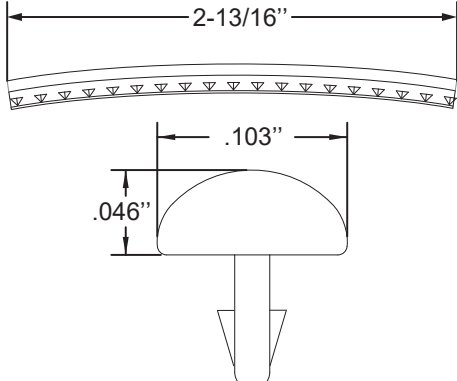
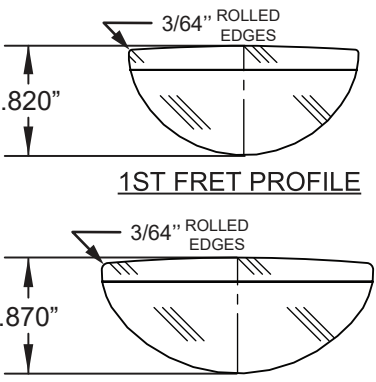
| 3 WAY SWITCH POSITION |               |  |                         |
|-----------------------|---------------|--|-------------------------|
|                       |               |  | ← 3 WAY SWITCH POSITION |
|                       |               |  | ← NECK PICKUP           |
|                       |               |  | ← BRIDGE PICKUP         |
|                       | PICKUP IS ON  | INDICATES POSITION OF 3 WAY SWITCH<br> |                         |
|                       | PICKUP IS OFF |  |                         |

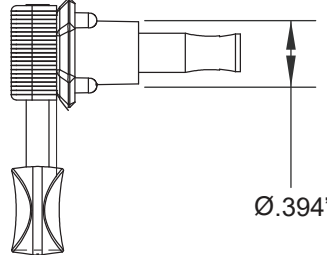
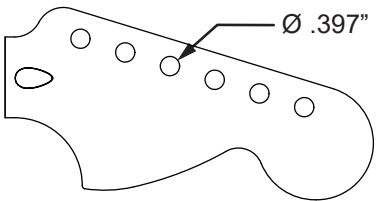


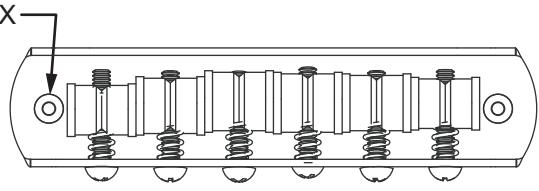
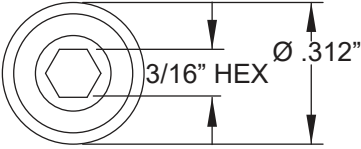
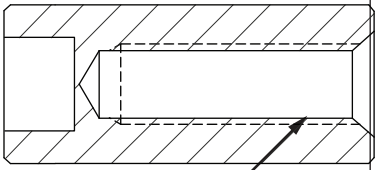
# PLAYER II JAGUAR®

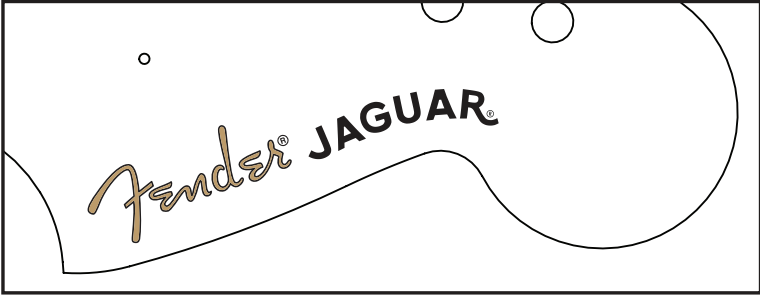
**(014-0580-XXX)**

## ADDITIONAL SPECIFICATION DETAIL

|   |   |   |
|---|---|---|
| <p><b>FRET SIZE: MEDIUM JUMBO</b><br/>(FRET DIMENSIONS ARE BEFORE INSTALLATION)</p>  | <p>PLEASE NOTE: AS EACH NECK IS SANDED &amp; FINISHED BY HAND, THICKNESS DIMENSIONS MAY VARY SLIGHTLY FROM THOSE SHOWN.</p> | <p><b>NECK PROFILE: MODERN "C"</b></p>  <p style="text-align: center;"><b>1ST FRET PROFILE</b></p> <p style="text-align: center;"><b>12TH FRET PROFILE</b></p> |
|---|---|---|

|  |   |
|--|---|
| <p><b>CLASSICGEAR TUNING MACHINE SET P/N 7713088000</b><br/><b>OUTER SHAFT DIAMETER .394"</b></p>  | <p><b>TUNING MACHINE THRU-HOLE</b><br/><b>INNER DIAMETER .397"</b></p>  |
|--|---|

|   |   |
|---|---|
| <p><b>BRIDGE HEIGHT ADJUSTMENT WRENCH:</b><br/><b>HEX KEY P/N 0018531049</b></p>  <p>.050" HEX</p> | <p><b>TRUSS ROD NUT P/N 0038454000</b></p>  <p>3/16" HEX    Ø .312"</p>  <p>10-32<br/>THREAD</p> |
|---|---|

| <p><b>LOGO: DECAL FENDER JAGUAR PLAYER II</b><br/><b>APPLIED UNDER THE FINISH</b></p>  | <p><b>PICKUP SPECIFICATIONS</b></p> <table border="1" style="width: 100%; border-collapse: collapse; text-align: center;"> <thead> <tr> <th>POSITION</th> <th>MAGNETS</th> <th>DC RESISTANCE</th> <th>POLARITY</th> </tr> </thead> <tbody> <tr> <td>NECK</td> <td>ALNICO 2 BEVELED</td> <td>8.6KΩ</td> <td>SOUTH</td> </tr> <tr> <td>BRIDGE</td> <td>ALNICO 5 BEVELED</td> <td>10.8KΩ</td> <td>NORTH</td> </tr> </tbody> </table> | POSITION      | MAGNETS  | DC RESISTANCE | POLARITY | NECK | ALNICO 2 BEVELED | 8.6KΩ | SOUTH | BRIDGE | ALNICO 5 BEVELED | 10.8KΩ | NORTH |
|---|---|---------------|----------|---------------|----------|------|------------------|-------|-------|--------|------------------|--------|-------|
| POSITION  | MAGNETS   | DC RESISTANCE | POLARITY |               |          |      |                  |       |       |        |                  |        |       |
| NECK  | ALNICO 2 BEVELED  | 8.6KΩ         | SOUTH    |               |          |      |                  |       |       |        |                  |        |       |
| BRIDGE  | ALNICO 5 BEVELED  | 10.8KΩ        | NORTH    |               |          |      |                  |       |       |        |                  |        |       |

