

XLR audio cable, 3-pin male, 3-pin female, 2m, black

DELTAACO



- 3-pin ma, 3-pin female
- 2m

XLR cable for e.g. active monitors in sound production.

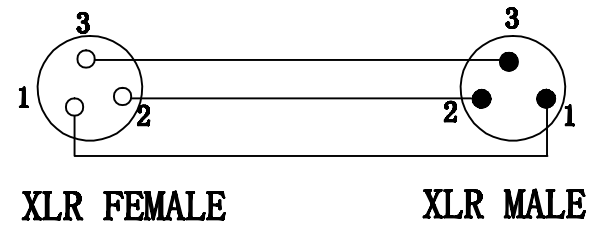
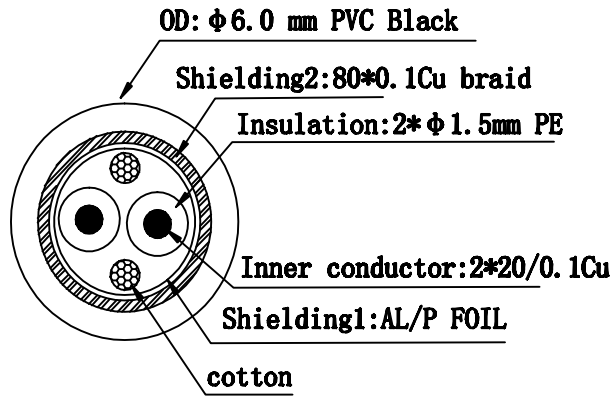
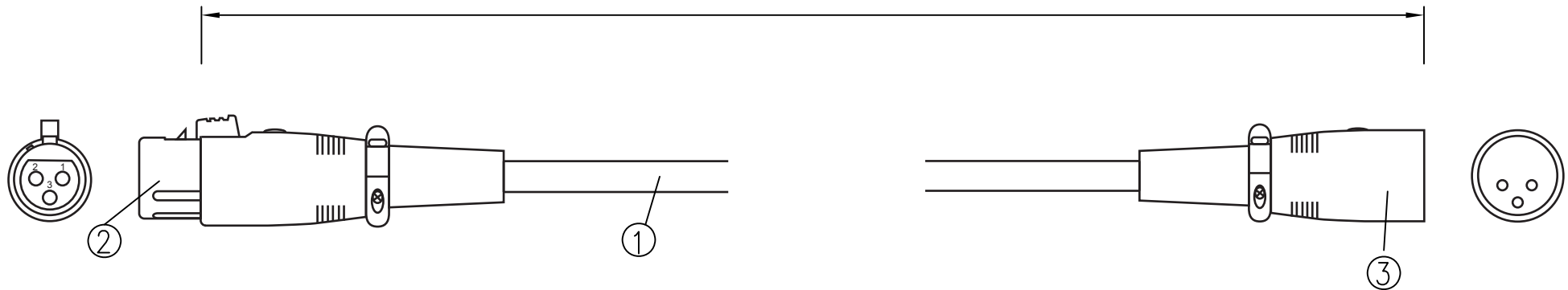
SPECIFICATIONS

Color	Black
Cable length	2
Cable type	Sound
Connector 1	XLR-male
Connector 2	XLR-female
	Akeneo\Pim\Enrichment\Component\Product\Model\PriceCollection Object ([elements:Doctrine\Common\Collections\ArrayCollection:private] => Array ([0] => Akeneo\Pim\Enrichment\Component\Product\Model\ProductPrice Object ([data:protected] => 2.00 [currency:protected] => DKK) [1] => Akeneo\Pim\Enrichment\Component\Product\Model\ProductPrice Object ([data:protected] => 2.00 [currency:protected] => EUR) [2] => Akeneo\Pim\Enrichment\Component\Product\Model\ProductPrice Object ([data:protected] => 2.00 [currency:protected] => NOK) [3] => Akeneo\Pim\Enrichment\Component\Product\Model\ProductPrice Object ([data:protected] => 2.00 [currency:protected] => SEK)))
Cable length	
Product weight	0.14 kg
Warranty	Lifetime

LOGISTIC

Item number	XLR-1020
Manufacturer part number	XLR-1020
Country of origin	China
Sales unit bar code	7340004684176
Sales unit height	225 mm
Sales unit width	140 mm
Sales unit depth	10 mm
Sales unit gross weight	0.14 kg
Sales unit net weight	0.13 kg
Inner carton height	131 mm
Inner carton width	374 mm
Inner carton depth	274 mm
Inner carton weight	2.10 kg
Inner carton quantity	50
Master carton height	290 mm
Master carton width	390 mm
Master carton depth	290 mm
Master carton weight	14.40 kg
Master carton quantity	100

2000mm ± 50mm



NOTE:

1. TESTING: 100% OPEN AND SHORT AND MISWIRE TEST.
2. CONDUCTION RESISTANCE: 5 OHM MAX
3. INSULATION RESISTANCE: 10 OHM MAX
4. WITHSTAND VOLTAGE: 300V
5. 100% ROHS REACH COMPLIANT

③	CONNECTOR 2	1PCS	XLR MALE Nickel plated
②	CONNECTOR 1	1PCS	XLR FEMALE Nickel plated
①	CABLE	1PCS	(26AWG*2P+ COTTON WIRE*2P)+AL/P FOIL+BRAID +BLACK PVC OD 6.0mm
NO.	PARTS NAME	Q'TY	SPECIFICATION

APPROVED	CHECKED	DRAWN	CUSTOMER	
			ITEM NO.	XLR-1020
			DRAW NO.	
			UNIT	mm
			SCALE	NONE

DESCRIPTION:

XLR CABLE
XLR FEMALE-XLR MALE

