

Harley Benton

PowerPlant ISO-1 Pro

Quick Start Guide

This quick start guide contains important information on the safe operation of the product. Read and follow the safety advice and instructions given. Retain the quick start guide for future reference. If you pass the product on to others please include this quick start guide.

Safety instructions

Intended use

This product is meant to be used as a multiple power supply for effect pedals. Any other use or use under other operating conditions is considered to be improper and may result in personal injury or property damage. No liability will be assumed for damages resulting from improper use.

Danger for children



Ensure that plastic bags, packaging, etc. are disposed of properly and are not within reach of babies and young children. Choking hazard! Ensure that children do not detach any small parts from the product. They could swallow the pieces and choke! Never let children unattended use electrical devices.

Electric shock caused by high voltages inside



Within the device there are areas where high voltages may be present. Never remove any covers. There are no user-serviceable parts inside. Do not use the device if covers, protectors or optical components are missing or damaged.

Electric shock caused by short-circuit



Always use proper ready-made insulated two-wire mains cabling (power cord). Do not modify the mains cable or the plug. Failure to do so could result in electric shock/death or fire. If in doubt, seek advice from a registered electrician.

Where to use the product

Never use the product

- in conditions of extreme temperature or humidity
- in extremely dusty or dirty areas
- at locations where the unit can become wet

General handling

- To prevent damage, never use force when handling the product.
- Never immerse the product in water. Just wipe it with a clean dry cloth. Do not use liquid cleaners such as benzene, thinners or flammable cleaning agents.

Features

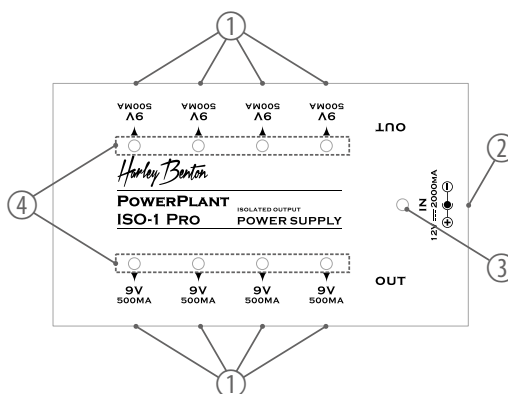
- Multiple power supply with 8 outputs, each providing 9 V \equiv / 500 mA (⊕—⊖)
- Isolated, filtered & short-circuit protected outputs remove noise and hum
- High current available for modern digital effects
- LED monitoring for each output
- Dimensions (W × H × D): 70 mm × 15 mm × 120 mm
- Weight: 200 g

Scope of delivery

- 1 × AC power adapter providing 12 V \equiv / 2 A
- 8 × connection cables à 60 cm with 5.5 × 2.1 mm coaxial plug to 5.5 × 2.1 mm coaxial plug
- 1 × Y-cable with 30 cm, 5.5 × 2.1 mm coaxial plug to 5.5 × 2.1 mm coaxial plug

Operating elements

- 1 Outputs 1 - 8 with each 9 V \equiv @ 500 mA
- 2 Connector for included AC power adapter, 12 V \equiv @ 2 A
- 3 Control LED, lights up when power is supplied to the unit
- 4 Control LED for output 1 - 8, lights up blue when voltage is present. When an output is deactivated due to overload, the LED turns off.



Using the product

1. Connect the device to the power grid using the supplied mains power adapter to start operation. The control LED (3) lights up.
2. Connect effects pedals or similar devices that require DC 9 V \equiv supply voltage at a maximum of 500 mA to outputs 1 - 8 using appropriate voltage supply cables. The maximum output power may not exceed 18 W.
3. If you want to supply a device that requires 18 V for operation, use the supplied Y cable, which is connected to 2 of the outputs..

Danger of property damage by polarity reversal



Make sure that the polarity of the devices to be connected must be the same as the polarity of the power supply outputs (⊕—⊖). To power a device with polarity-reversed voltage may damage it!

Danger of property damage by overvoltage



Make sure that connected devices are actually suitable for the respective voltage. To power a device with overvoltage may damage it!

4. Each operational output is indicated by a blue LED. If an output is overloaded, the LED turns off. Then disconnect the pedal from that output. After about 2 seconds the normal voltage supply is restored here.
5. To turn the unit off, unplug the AC power adapter from the power grid.



For the transport and protective packaging, environmentally friendly materials have been chosen that can be supplied to normal recycling. Ensure that plastic bags, packaging, etc. are properly disposed of. Do not just dispose of these materials with your normal household waste, but make sure that they are collected for recycling. Please follow the notes and markings on the packaging.



This product is subject to the European Waste Electrical and Electronic Equipment Directive (WEEE) in its currently valid version. Do not dispose of your old device with your normal household waste. Dispose of this product through an approved waste disposal firm or through your local waste facility. Comply with the rules and regulations that apply in your country. If in doubt, consult your local waste disposal facility.